

SAVE IMPORTANT PAPERS

S.E. 50 AIR ROUTER : SCHEMATIC AND INFORMATION

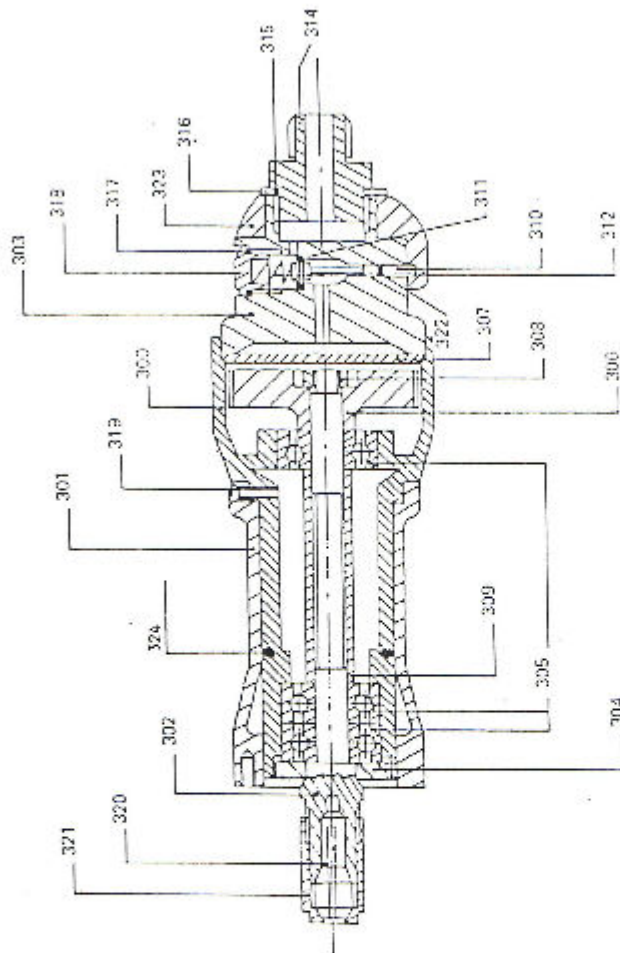


BODI COMPANY INC.
5530 COMMERCIAL BLVD.
WINTER HAVEN, FL. 33880
PH. 863.551.3388
FAX 863.551.3399

BODI COMPANY, INC.

SE 50 AIR ROUTER SCHEMATIC

PH. 863.551.3388
FAX 863.551.3399



NOTES:

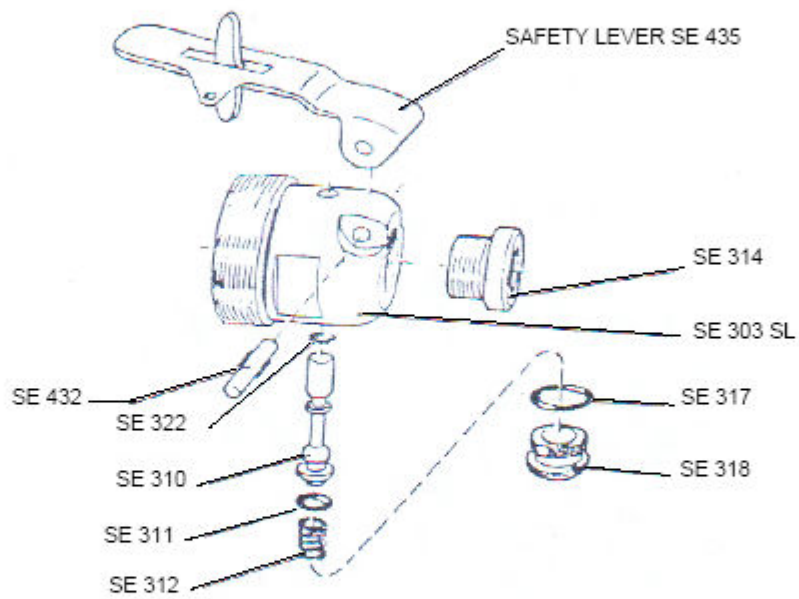
1. To change router, slacken screw 319 and withdraw body sleeve 301 complete with cowl. This will give access to the collet nut 321.
2. An oil mist unit MUST be provided in the airline to lubricate motor.
3. The motor requires approximately 15 cu. ft. at a pressure of 80/100.

BODI COMPANY, INC.
5530 COMMERCIAL BLVD.
WINTER HAVEN, FL 33880

BODI COMPANY, INC.

SE 50 LEVER THROTTLE BODY

PH. 863.551.3388
FAX 863.551.3399



SE 50 LEVER THROTTLE BODY

BODI COMPANY, INC.
5530 COMMERCIAL BLVD.
WINTER HAVEN, FL 33880

BODI COMPANY, INC.

SE 50 AIR ROUTER PARTS

PH. 863.551.3388

FAX 863.551.3399

SE 50 AIR ROUTER - PARTS

Part No.	Mfg #	Description
97-300	SE300	Body
97-301	SE301	Motor Body Sleeve
97-302	SE302	Spindle
97-303	SE303	Throttle Body
97-304	SE304	Bearing Retainer
97-305	SE305	Bearings (3)
97-306	SE306	Impeller
97-307	SE307	Jet Plate
97-308	SE308	Locknut
97-309	SE309	Bearing Spacer
97-310	SE310	Valve
97-311	SE311	O Ring
97-312	SE312	Spring
97-314	SE314	Connection Union
97-315	SE315	O Ring
97-316	SE316	Washer
97-317	SE317	O Ring
97-318	SE318	Plug
97-319	SE319	Screw
97-320	SE320	Collet 1/4"
97-321	SE321	Collet Nut
97-322	SE322	O Ring
97-323	SE323	Twist Throttle
97-324	SE324	O Ring

COMPLETE THROTTLE AND VALVE ASSEMBLY

97-303	SE303	Throttle Body
97-310	SE310	Valve
97-311	SE311	O Ring
97-312	SE312	Spring
97-314	SE314	Connection Union
97-315	SE315	O Ring
97-316	SE316	Washer
97-317	SE317	O Ring
97-318	SE318	Plug
97-323	SE323	Twist Throttle
97-325		Cowl Screw

BODI COMPANY, INC.
5530 COMMERCIAL BLVD.
WINTER HAVEN, FL 33880